

VB40a Voltage Booster



4-VB40AX1: single pump model

4-VB40AX2: dual pump model

The DeatschWerks VB40a brings fuel pump voltage boosting to an entirely new level. The industry's first pump booster with digital programming, password protection, and a special brushless pump mode that allows voltage output up to 26 volts. The VB40a is universally compatible with all makes and models and is available in both single pump and dual pump versions.

- Single and Dual Pump Models (X1 and X2)
- Standard mode up to 20 volts
- Brushless mode up to 26 volts
- Programming via roller wheel and digital screen
- User defined passcode protection

Specifications

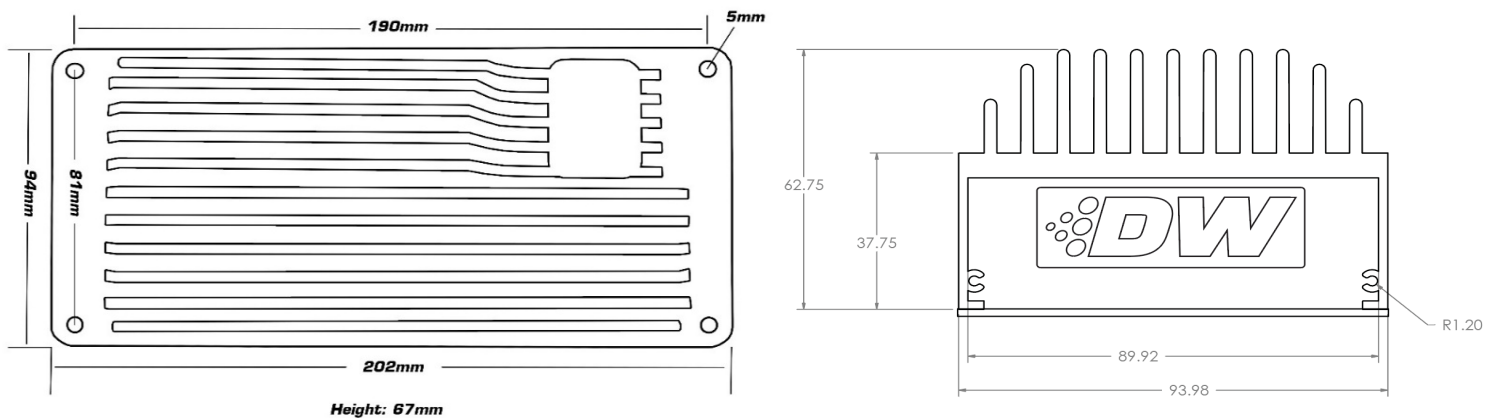
Weight	2.5 lbs. (1120 g)	VB40a Wiring	24" (610mm) 10awg
Housing Materials	Anodized Aluminum Case	Output Wiring	36" (915mm) 10awg
Display Materials	OLED Screen	Trigger Wiring	36" (915mm) 14awg
Input Voltage	6.0 - 14.5 Volts	Fuse(s)	ATO 50 Amp
Output Volt (Standard Mode)	14.5 - 20 Volts	VB40a Power	Red Wire, 12v Key On ³
Output Volt (Brushless Mode)	14.5 - 26 Volts	VB40a Ground	Black Wire, Chassis Ground
Max Current	40 Amps ¹	Trigger	White Wire, Switched Ground
Voltage Settings	14.5, 18, 20, 22, and 26 Volts	Fuel Pump Power	Blue Wire, To Fuel Pump ³
Trigger Modes	Active Low and Always On ²		
Ramp Rates (Sec)	Auto, 1.5, 1.0, 0.5 and Instant		
Compatible Pumps	Brushed and Brushless		

¹ X1 or X2: Do not exceed 40amp total Fuel Pump current draw

² Always On Setting Is Limited To 18V Only

³ VB40aX2 Has Two Power (Red) and two Pump Wires (Blue)

Dimensions



THIS PRODUCT MAY BE USED SOLELY ON VEHICLES USED IN SANCTIONED COMPETITION WHICH MAY NEVER BE USED UPON A PUBLIC ROAD OR HIGHWAY, UNLESS PERMITTED BY SPECIFIC REGULATORY EXEMPTION